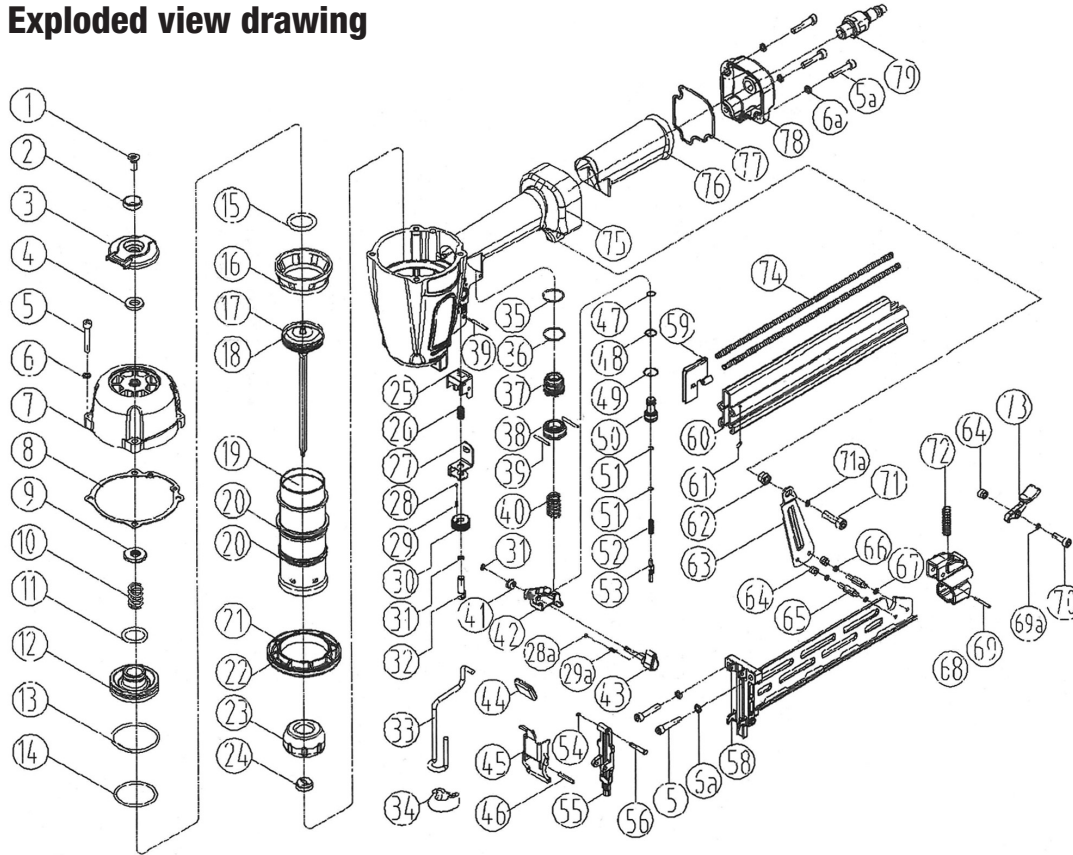


D9040V 40mm NARROW CROWN STAPLER

For replacement parts contact your usual Tacwise supplier.

Exploded view drawing



Item	Description	Item	Description	Item	Description
1	Screw M6 x 16	35	O-Ring 20.3 x 2.5	72	Spring
2	Bushing	36	O-Ring 20.3 x 1.5	73	Lock
3	Exhaust Cover	37	Valve Set	74	Spring
4	Seal	38	Trigger Valve Guider	75	Body
5	Screw M5 x 25	39	Spring Pin	76	Soft Grip Sleeve
5a	Screw M5 x 20	40	Spring	77	Gasket
6	Washer	41	Rotating Shaft Bushing	78	End Cap
6a	Spring Washer	42	Trigger Assembly	79	Air Plug
7	Cylinder Cap	43	Rotating Shaft Pin		
8	Gasket	44	Latch Sleeve		
9	Valve Seal	45	Latch Assembly		
10	Spring	46	Spring Pin		
11	O-Ring 22.8 x 2.5	47	O-Ring 9.5 x 1.9		
12	Valve	48	O-Ring 10.3 x 1.9		
13	O-Ring 49.2 x 3.5	49	O-Ring 12.8 x 1.9		
14	O-Ring 43.3 x 3.5	50	Trigger Valve Head		
15	O-Ring 28.3 x 3	51	O-Ring 5.5 x 1.5		
16	Collar	52	Spring		
17	Piston Assembly	53	Trigger Valve Stem		
18	O-Ring 40.3 x 3.5	54	O-Ring 4.5 x 1.3		
19	Cylinder	55	Front Plate		
20	O-Ring 47 x 2.5	56	Pin		
21	Restricted Plate	58	Fixed Magazine		
22	O-Ring 66.6 x 2.6	59	Feeder Shoe		
23	Bumper	60	Movable Magazine		
24	Joint Guider	61	Spring Pin		
25	Safe Guider	62	Nut		
26	Spring	63	Support		
27	Safe Bracket	64	Nut		
28	Steel Ball	65	Fixed Support Block		
28a	Steel Ball	66	Washer		
29	Spring	67	Spring Washer		
29a	Spring	68	Stopper		
30	Adjust Nut	69	Spring Pin		
31	Locking Washer	69a	Washer		
32	Joint	70	Screw M4 x 22		
33	Bracket	71	Screw M6 x 20		
34	Rubber Cover	71a	Washer		