

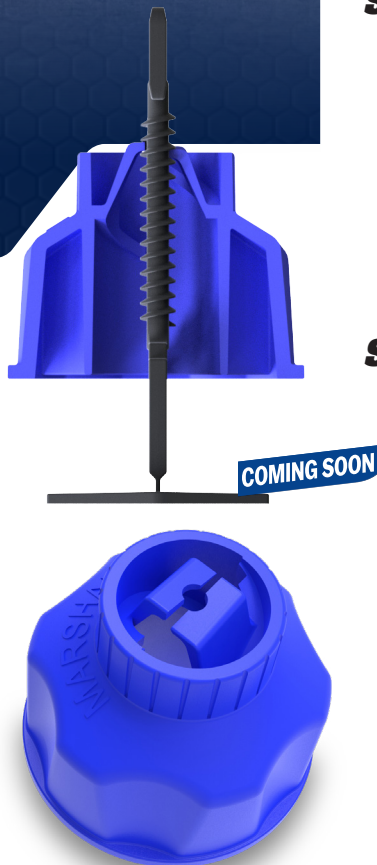
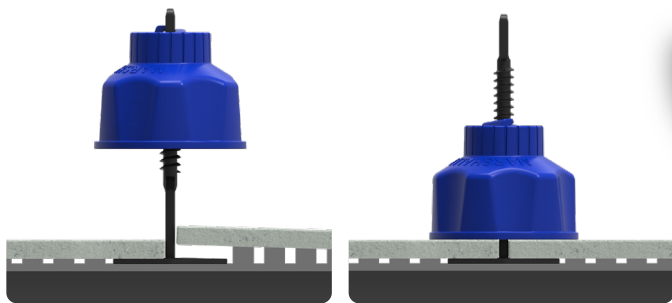
TILE LEVELING SYSTEM

FASTcap™

RATCHET CAPS

PATENT PENDING

- NO tools required
- Ratchet Caps are reusable for multiple jobs
- Unique helix design allows for the quickest installation on the market
- NO spinning! Ratchet Caps are easily removed from used Spacer Bases with a quick pull
- Color-coded Spacer Bases are available in a variety of sizes (sold separately)



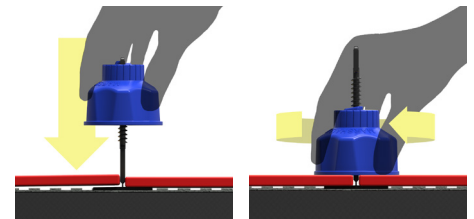
Step 1:

Place Spacer Bases (sold separately) once thinset has been applied.



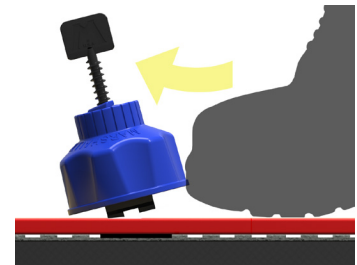
Step 2:

Push Ratchet Cap down firmly over Spacer Base. Spin to tighten.



Step 3:

When mortar has cured, kick or use rubber mallet to remove. Save the caps to reuse for your next tiling job!



AVOID THIS

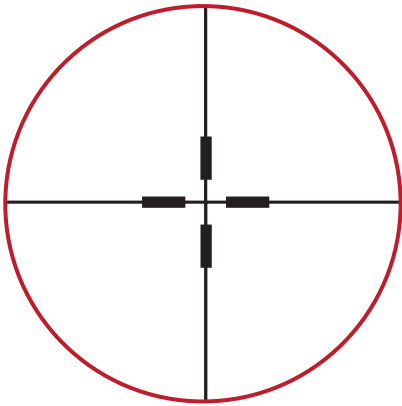
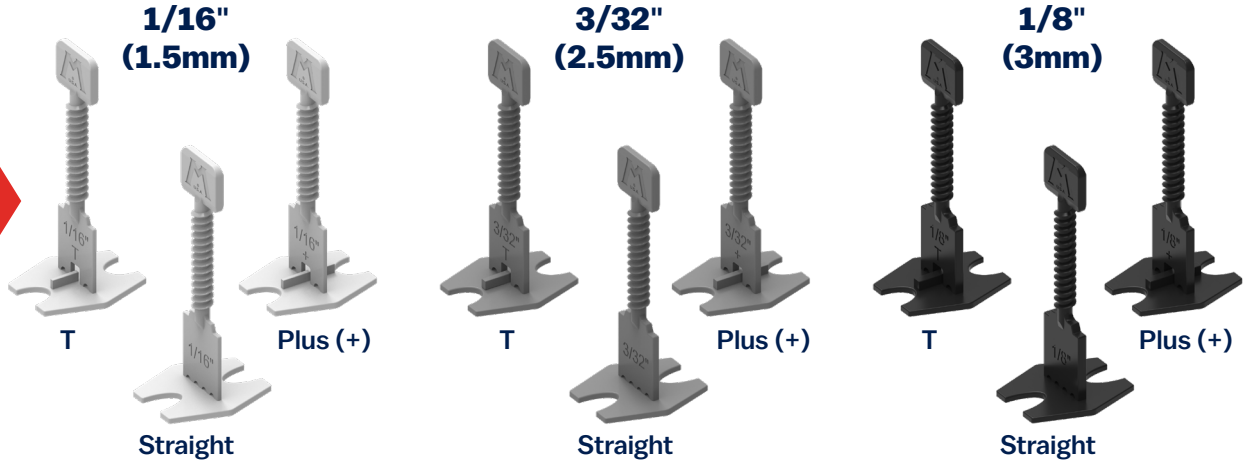
WITH FASTCAP™

SCAN FOR VIDEO

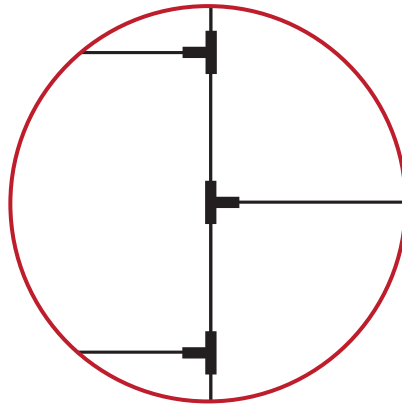


RATCHET CAPS

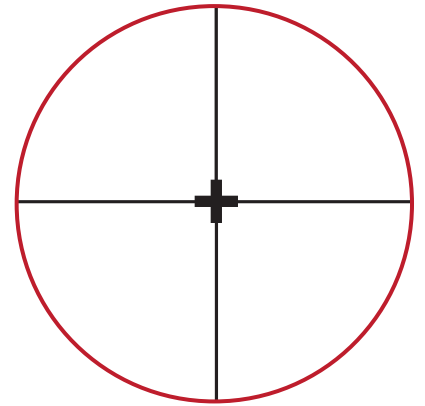
**SPACER BASE
STYLES:
(SOLD SEPARATELY)**



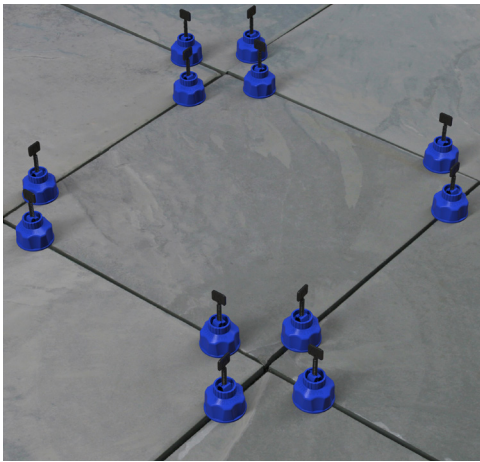
Using Straight Spacer Bases



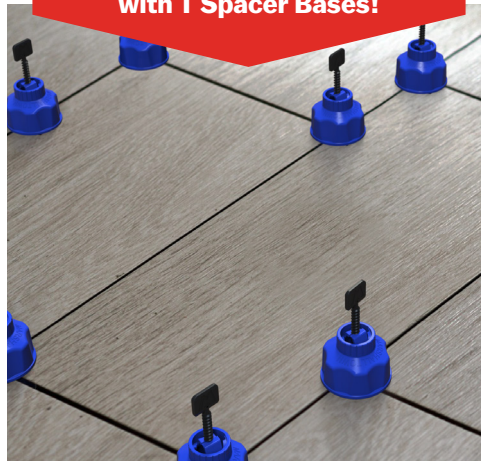
Using T Spacer Bases



Using Plus (+) Spacer Bases



Straight Spacer Bases layout



T Spacer Bases layout



Plus (+) Spacer Bases layout

**Use ¾ less per intersection
with T Spacer Bases!**

**Use ¾ less per intersection
with Plus (+) Spacer Bases!**