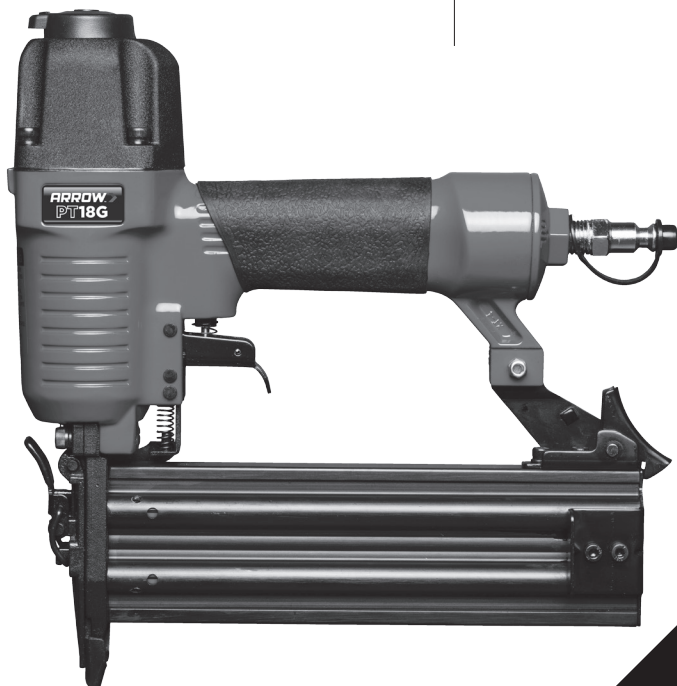


ARROW™

HOW IT ALL COMES TOGETHER

PNEUMATIC
BRAD NAILER
PT 18G™



Instruction Manual

Important Information.

Please read carefully before use.

Upon purchase of this product, read and follow all safety rules and operating instructions before first use.

Includes:

- Technical Data
- Important Safety Rules
- Operating Instruction
- Maintenance
- Parts List

www.arrowfastener.com

3 YEAR LIMITED WARRANTY

Arrow Fastener Company warrants to the original consumer purchaser ("you") that this product will be free from original defects in materials and workmanship for 3 years after you purchase it. If the product does not comply with this warranty, Arrow will, at its option, repair or replace the product with an equivalent product at no charge to you. This warranty is not transferable. For best performance, use genuine Arrow nails. Arrow nails are made to exact tolerances to insure trouble-free performance. This warranty does not cover defect or damage to the extent caused by the use of non Arrow branded nails. This warranty also does not cover damage relating to normal wear and tear, misuse, abuse, neglect, accident, natural disaster, or alteration of the product without Arrow's consent. TO THE EXTENT PERMITTED BY LAW, ANY IMPLIED WARRANTIES, INCLUDING ANY WARRANTY OF MERCHANTABILITY OR FITNESS FOR A PARTICULAR PURPOSE, ARE LIMITED TO THE SAME DURATION AS THIS EXPRESS WARRANTY. Some states do not allow limitations on how long an implied warranty lasts, so the above limitation may not apply to you. NO OTHER EXPRESS WARRANTY HAS BEEN MADE OR WILL BE MADE BY ARROW WITH RESPECT TO THIS PRODUCT. ARROW SHALL NOT BE RESPONSIBLE FOR SPECIAL, INCIDENTAL OR CONSEQUENTIAL DAMAGES WHETHER ARISING OUT OF BREACH OF WARRANTY, BREACH OF CONTRACT, TORT, OR OTHERWISE. Some states do not allow the exclusion of incidental or consequential damages so the above exclusion and limitation may not apply to you. This warranty gives you specific legal rights, and you also may have other rights which vary from state to state. This guarantee does not affect your statutory rights. In Canada, the above provisions are not intended to operate where prohibited by law and do not preclude the operation of any applicable provincial consumer protection statute which may in certain circumstances extend the express warranty herein. To obtain the benefits of this warranty, you must send the product securely packaged with proof of purchase and postage prepaid to:

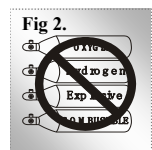
Arrow Fastener Co., LLC
271 Mayhill Street, Saddle Brook, N.J. 07663 U.S.A.

Technical Data

Capacity.....	100pcs
Staple length.....	5/8" - 2" (15-50mm)
Fastener size.....	18Gauge (1.25x1.00mm)
Operation pressure.....	60-100PSI (4-7bar)
Air inlet.....	1/4" N.P.T.
Dimension.....	2.16" x9.25" x10.03" (55x235x255mm)
Weight.....	3.30lbs (1.55kgs)

GENERAL SAFETY RULES

- 1. KEEP CHILDREN, VISITORS AND BYSTANDERS AWAY FROM TOOL.** Distractions can cause misuse and possible loss of control. When tool is not operational it should be locked in a safe place out of the reach of children.
- 2. USE SAFETY GLASSES AND EAR PROTECTION:** Air tool operators and others in work area should always wear safety glasses and ear protection to prevent injury from flying debris as well as possible hearing damage.
- 3. NEVER USE OXYGEN, COMBUSTIBLE OR ANY OTHER BOTTLED GAS** as a power source or it can cause an explosion and serious personal injury. (See fig 2.)
- 4. DO NOT CONNECT TOOL TO COMPRESSED AIR THAT EXCEEDS 120PSI.**
- 5. MAKE SURE HOSE IS FREE OF ANY OBSTRUCTIONS OR SNAGS.** Entangled hoses can cause loss of balance or footing.
- 6. KEEP THE TOOL POINTED AWAY FROM YOURSELF** and others at all times and keep hands, any body parts away from rear area to safety guard against possible injury.
- 7. DISCONNECT TOOL FROM AIR SUPPLY BEFORE LOADING FASTENERS** to prevent accidental firing during connection.
- 8. DO NOT KEEP THE TRIGGER OR SAFETY DEPRESSED WHEN LOADING STAPLES.** This can cause unintentional firing and accidental injury may occur.
- 9. DISCONNECT TOOL FROM AIR SUPPLY HOSE** and close the compressor before performing maintenance and during non-operation.
- 10. DO NOT OVERREACH DURING USAGE.** Maintain proper footing at all times to avoid loss of balance and possible injury.
- 11. DO NOT DRIVE FASTENERS CLOSE TO THE EDGE OF THE MATERIAL.** This can cause the workpiece to potentially split resulting in fasteners ricocheting causing injury to you or your coworkers.
- 12. DO NOT DRIVE FASTENER ON TOP OF NAILED FASTENERS,** or the fasteners can ricochet causing personal injury.
- 13. NEVER USE A TOOL THAT IS LEAKING AIR, HAS MISSING OR DAMAGED PARTS OR REQUIRES REPAIR.** and make sure all the screws are securely tightened.
- 14. ALWAYS OPERATE TOOL IN CLEAN WELL LIT AREAS.** Be sure the work area is clear of any debris.
- 15. ONLY USE PARTS AND ACCESSORIES** recommend by manufacturer.
- 16. BE AWARE OF MATERIAL THICKNESS DURING USE.** A protruding nail can cause injury.
- 17. DO NOT DRIVE NAILS BLINDLY INTO SURFACES.** Be aware of possible electrical wires, plumbing or other types of obstructions that can cause injury or damage.



GENERAL SAFETY RULES

WARNING!

Some dust created by power sanding, sawing, grinding, drilling, and other construction activities contains chemicals known to the State of California to cause cancer, birth defects or other reproductive harm. Some examples of these chemicals are:

- lead from lead-based paints,
- crystalline silica from bricks and cement and other masonry products, and
- arsenic and chromium from chemically-treated lumber.

Your risk from these exposures varies, depending on how often you do this type of work. To reduce your exposure to these chemicals: work in a well ventilated area, and work with approved safety equipment, such as those dust masks that are specially designed to filter out microscopic particles.

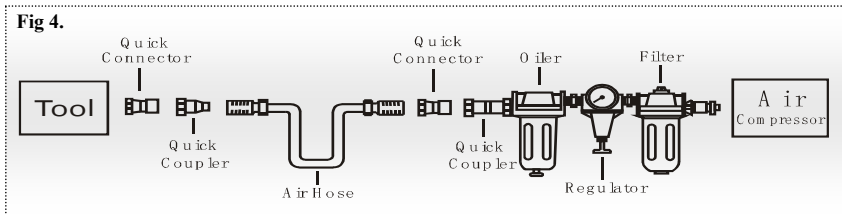
Use of this tool can generate and/or disburse dust, which may cause serious and permanent respiratory or other injury. Always use NIOSH/OSHA approved respiratory protection appropriate for the dust exposure. Direct particles away from face and body. Always operate tool in well-ventilated area and provide for proper dust removal. Use dust collection system wherever possible.

Description

Arrow's **18GPT** Pneumatic Brad Nailer drives 18G brad nails from 5/8" to 2" (15mm to 50mm) in length. The tool has a die cast aluminum body for strong and light weight design. The tool features a comfortable rubber handle for improved control and comfort even during extended use and a contact safety to prevent accidental firing and a quick release nosepiece for fast clearing of jams. The tool is ideal for door and window trims, decorative trim, and cabinet work, finish paneling, frames, flooring and etc.

Air supply

1. Use clean, Dry and Regulated compressed air at 60-100psi (4-7 bar)
2. Never exceed maximum and minimum pressure. Too low or too high pressure would cause noise wear and tear or misfiring.
3. When connecting air supply always keep hands and body away from discharge area of tool.
4. A filter-regulator-lubrication is required and should be located as close to tool as possible.
5. Keep air filter clean. A dirty filter will reduce the air pressure to the tool causing a reduction in power and efficiency.
6. For better performance, install a quick connector in your tool and quick coupler on the hose if possible.
7. Be sure all connections in air supply system are sealed to prevent air loss.



OPERATING INSTRUCTIONS

Loading and Operation

WARNING!

Always disconnect the tool from the compressed air before loading. When loading the tool always keep the tool pointed away from yourself and others. Make sure that you are not holding the tool with trigger depressed while loading to prevent accidental firing.

1. Insert a strip of fasteners into magazine. Keeping the tool pointed down and not in the depressed position.
2. Release the latch and pusher, slide the pusher against the nails.
3. Test the driving depth in a sample piece of wood before using. If the fasteners are being driven too far or not far enough, adjust the regulator to provide less or more air pressure as needed.
4. Never operate tool unless safety nose is in contact with the work piece. Do not operate tool without fasteners or damage to tool may result.
5. Never fire fasteners into air because fasteners may injure operator or others and damage to tool may result.
6. The air tool is equipped with a contact safety stand mechanism that disables the tool unless the contact safety is depressed. Hold the gun body firmly and depress the safety on the work piece where the nail is to be applied. Pull the trigger to drive the nail into the work piece.

MAINTENANCE

WARNING!

Disconnect the tool from the air compressor before adjusting, clearing jams, servicing, relocating and during non-operation.

- Regular lubrication of the tool is required. Please add 2 to 6 drops of lubricant oil into the air inlet before each work day or after 2 hours of continuous use depending on the characteristic of work piece or type of fasteners.
- Check and change all worn or damaged o-rings, seals, etc. Tighten all the screws and caps to avoid personal injury.
- Inspect trigger and safety mechanism to assure system is complete and functional with no loose or missing parts.
- Keep magazine and nose of tool clean and free of any dirt lint or abrasive particles.

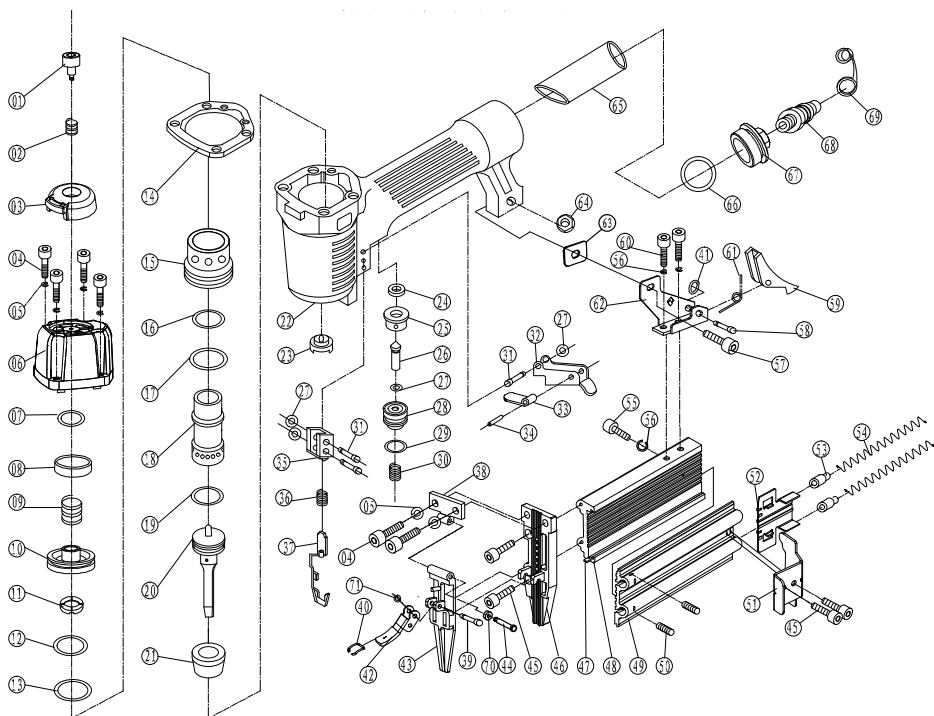
The following form lists the common operation system with problem and solutions. Please read the form carefully and follow it.

WARNING!

If any of the following symptoms appears during your operation, stop using the tool immediately, or serious personal injury could result. Only a qualified persons or an authorized service center can perform repairs or replacement of tool. Disconnect tool from air supply before attempting repair or adjustment. When replacing O-rings or Cylinder, lubricate with air tool oil before assembly.

SYMPTOM	PROBLEM	SOLUTION
Air leak near top of tool or in trigger area	<ol style="list-style-type: none"> 1.O-ring in trigger valve are damage. 2.Trigger valve head are damage. 3.Trigger valve stem ,seal or O-ring are damaged. 	<ol style="list-style-type: none"> 1.Check and replace O-ring. 2.Check and replace. 3.Check and replace trigger valve stem, seal or O-ring.
Air leak near bottom of tool.	<ol style="list-style-type: none"> 1. Loose screws. 2. Worn or damaged O-rings or bumper. 	<ol style="list-style-type: none"> 1.Tighten screws. 2.Check and replace O-rings or bumper.
Air leak between body and cylinder cap.	<ol style="list-style-type: none"> 1. Loose screws. 2. Worn or damaged O-rings or seals. 	<ol style="list-style-type: none"> 1.Tighten screw. 2.Check and replace O-rings or bumper.
Blade driving fastener too deep.	<ol style="list-style-type: none"> 1. Worn bumper. 2. Air pressure is too high. 	<ol style="list-style-type: none"> 1.Replace bumper. 2.Adjust the air pressure.
Tool does not operate well: can not drive fastener or operate sluggishly.	<ol style="list-style-type: none"> 1. Inadequate air supply. 2. Inadequate lubrication. 3. Worn or damaged O-rings or seals. 4.Exhaust port in cylinder head is blocked. 	<ol style="list-style-type: none"> 1.Verify adequate air supply. 2.Place 2 or 6 drops of oil into air inlet. 3.Check and replace O-rings or seal. 4.Replace damaged internal parts.
Tool skips fasteners.	<ol style="list-style-type: none"> 1.Worn bumper or damaged spring. 2.Dirt in front plate. 3.Dirt or damage prevents fasteners from moving freely in magazine. 4.Worn or dry O-ring on piston or lack of lubrication. 5.Cylinder cover seal leaking. 	<ol style="list-style-type: none"> 1. Replace bumper or pusher spring. 2.Clean drive channel on front plate. 3.Magazine needs to be cleaned. 4.O-ring needs to be replaced. And lubricated. 5.Replace Sealing washer.
Tool jams.	<ol style="list-style-type: none"> 1.Incorrect or damaged fasteners. 2.Damaged or worn driver guide. 3.Magazine or nose screw loose. 4.Magazine is dirty. 	<ol style="list-style-type: none"> 1.Change and use correct fastener. 2.Check and replace the driver. 3.Tighten the magazine. 4.Clean the magazine.

OPERATING INSTRUCTIONS



BOM LIST of PT18G BRAD NAILER

Item	Description	Usage	Item	Description	Usage	Item	Description	Usage	Item	Description	Usage
1	Screw	1	21	Bumper	1	41	Retainer	1	61	Torsion spring	1
2	Spring	1	22	Housing	1	42	Quick release Assembly	1	62	Fixed Seat	1
3	Air Deflector	1	23	Rubber Gasket	1	43	cover	1	63	Self-Locking Spring M4	1
4	Hex Bolt M5x20	6	24	Sealing Ring	1	44	Cover pin	1	64	Rubber Grip	1
5	Spring Washer 5	6	25	Valve Seat	1	45	Hex bolt M4x14	4	65	O ring 36.3x3.55	1
6	Cylinder Cap	1	26	Valve Stem	1	46	Drive Guide A	1	66	End Cap	1
7	O ring 13.7x2.4	1	27	O ring 1.7x2	4	47	Panel	1	67	Air inlet Plug	1
8	Sealing Ring 13.7x2.4	1	28	Valve sleeve	1	48	Fixed Magazine	1	68	Air inlet Plug cover	1
9	Head Valve Spring	1	29	O ring 11.2x2	1	49	Sliding Magazine	1	69	Pin Sleeve	1
10	Head Valve	1	30	Trigger Spring	1	50	Bolt	2	70	Valve stem O ring 1.9x1.2	1
11	Gasket	1	31	Pin	3	51	Position Seat	1			
12	O ring 31.2x2.5	1	32	Trigger	1	52	Slider	1			
13	O ring 24.8x3.5	1	33	Safety plate A	1	53	Pusher finger	2			
14	Sealing Gasket	1	34	Pin 2.5x16	2	54	Pusher spring	2			
15	Collar	1	35	sliding plate shelf	1	55	Hex Bolt M4x12	1			
16	O ring 26.2x2.4	1	36	Push rod spring	1	56	Spring Gasket	3			
17	O ring 41.7x3	1	37	WCE assembly	1	57	Hex Bolt M4x18	1			
18	Cylinder A	1	38	Isolation Plate	1	58	Hook handle pin	1			
19	O ring 21x3	1	39	Position Pin	1	59	Hook handle	1			
20	Piston Assembly	1	40	Quick relase shrink ring	1	60	Hex Bolt M4x8	2			

ARROW™

HOW IT ALL COMES TOGETHER

CLOUEUSE PNEUMATIQUE
DE FINITION

PT 18G^{MC}



Manuel d'utilisation

Renseignements importants. Veuillez lire ce manuel d'utilisation attentivement.

Lire les consignes de sécurité et la les instructions d'utilisation en intégralité avant d'utiliser la cloueuse pour la première fois.

Comprend:

- Caractéristiques techniques
- Consignes de sécurité importantes
- Instructions d'utilisation
- Entretien
- Liste de pièces

www.arrowfastener.com

GARANTIE LIMITÉE DE 3 ANS

Arrow Fastener Company garantit à l'acheteur d'origine (ci-après « vous ») que ce produit sera exempt de tout vice de fabrication et de main-d'œuvre pendant trois ans à compter de la date d'achat. Si le produit n'est pas conforme à cette garantie, Arrow, à sa discrétion, le réparera ou le remplacera par un produit équivalent, sans frais. Cette garantie n'est pas transférable. Pour une performance optimale, utiliser des clous de marque Arrow authentiques. Les clous de marque Arrow ont des tolérances exactes, ce qui garantit un fonctionnement sans incident. La présente garantie ne couvre pas les défauts ou dommages résultant de l'utilisation de clous d'une marque autre que Arrow. En outre, la présente garantie ne couvre pas les dommages résultant d'une usure normale, d'une mauvaise utilisation, d'une utilisation abusive, de négligences, d'un accident, d'une catastrophe naturelle ou de l'altération du produit sans le consentement de Arrow. **DANS LES LIMITES AUTORISÉES PAR LA LOI, LES GARANTIES IMPLICITES, Y COMPRIS LES GARANTIES DE QUALITÉ MARCHANDE OU D'ADAPTATION À UN USAGE PARTICULIER, SE LIMITENT À LA DURÉE DE LA PRÉSENTE GARANTIE EXPRESSE.** Certains États ne permettent pas de limiter la durée des garanties implicites, de sorte que la limitation susmentionnée peut ne pas s'appliquer à vous. **AUCUNE AUTRE GARANTIE EXPRESSE N'A ÉTÉ ÉMISE OU NE SERA ÉMISE RELATIVEMENT À CE PRODUIT. ARROW NE SAURAIT ÊTRE TENUE RESPONSABLE DE TOUT DOMMAGE PARTICULIER, INDIRECT OU CONSÉCUTIF RÉSULTANT D'UNE VIOLATION DE GARANTIE, D'UNE RUPTURE DE CONTRAT, D'UN ACTE DÉLICITUEL OU AUTRE.** Certains États n'autorisent pas la restriction des dommages indirects ou consécutifs, de sorte que les restrictions et exclusions susmentionnées peuvent ne pas s'appliquer dans votre cas. La présente garantie vous confère des droits légaux spécifiques, lesquels peuvent varier d'un État à l'autre. La présente garantie n'affecte pas les droits qui vous sont accordés par la loi. Au Canada, les dispositions susmentionnées n'ont pas pour vocation d'entrer en vigueur là où la loi l'interdit et n'empêchent pas l'application de toute loi provinciale de protection du consommateur en vigueur qui pourrait, dans certains cas, prolonger la présente garantie expresse. Pour profiter des avantages associés à la présente garantie, vous devez envoyer le produit dûment emballé, ainsi que la preuve d'achat, port payé, à l'adresse suivante :

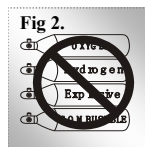
Arrow Fastener Co., LLC
271 Mayhill Street, Saddle Brook, N.J. 07663, U.S.A.

Caractéristiques Techniques

Capacité.....	100 pièces
Longueur des clous	15-50 mm (5/8" - 2")
Taille des clous.....	Calibre 18 (1,25 x 1,00 mm)
Pression de fonctionnement	60-100 lb/pi2 (4-7 bar)
Prise d'air.....	1/4 po NPT
Dimension.....	55 x 235 x 255 mm (2,16 po x 9,25 po x 10,03 po)
Poids	1,55 kg (3,30 lb)

CONSIGNES DE SÉCURITÉ GÉNÉRALES

1. **TENIR LES ENFANTS, LES VISITEURS ET LES PASSANTS ÉLOIGNÉS DE L'OUTIL.** S'il est distrait, l'utilisateur peut employer l'outil de la mauvaise façon ou en perdre le contrôle. Lorsqu'il n'est pas utilisé, il convient de ranger l'outil dans un endroit verrouillé hors de portée des enfants.
2. **UTILISER DES LUNETTES DE SÉCURITÉ ET DES PROTECTEURS D'OREILLES :** Les utilisateurs d'outils pneumatiques et les personnes présentes sur le lieu de travail doivent toujours porter des lunettes de sécurité et des protecteurs d'oreille pour éviter d'être blessés par des débris volants et de subir des dommages auditifs.
3. **NE JAMAIS UTILISER DE L'OXYGÈNE, UN COMBUSTIBLE OU UN GAZ EN BOUTEILLE, QUEL QU'IL SOIT,** comme source d'alimentation. Cela pourrait entraîner une explosion et des blessures graves. (Se reporter à la fig. 2.)
4. **NE PAS RACCORDER L'OUTIL À UNE SOURCE D'AIR COMPRIMÉ DONT LA PRESSION DÉPASSE 120 LB/PI².**
5. **VEILLER À CE QUE LE TUYAU NE SOIT PAS OBSTRUÉ OU ACCROCHÉ.** Un tuyau emmêlé peut entraîner une perte d'équilibre ou d'appui.
6. **TOUJOURS POINTER L'OUTIL DANS LA DIRECTION OPPOSÉE À LA SIENNE** et à celle des personnes présentes et éloigner les mains et toute autre partie du corps de la partie arrière afin de prévenir tout risque de blessure.
7. **DÉBRANCHER L'OUTIL DE LA SOURCE D'AIR COMPRIMÉ AVANT DE CHARGER LES CLOUS** pour empêcher tout déclenchement accidentel lors du branchement.
8. **NE PAS MAINTENIR LA GÂCHETTE OU LA SÉCURITÉ ENFONCÉE LORS DU CHARGEMENT DES CLOUS.** Cela pourrait entraîner un déclenchement involontaire ou des blessures accidentelles.
9. **DÉBRANCHER L'OUTIL DE LA SOURCE D'AIR COMPRIMÉ** et fermer le compresseur avant de procéder à l'entretien de l'outil ou lorsque ce dernier n'est pas utilisé.
10. **NE PAS TENDRE LE BRAS TROP LOIN EN UTILISANT L'OUTIL.** Il importe de maintenir ses appuis en tout temps pour éviter une perte d'équilibre qui pourrait entraîner des blessures.
11. **NE PAS ENFONCER LES CLOUS TROP PRÈS DU BORD DU MATÉRIAU.** La pièce à travailler pourrait se fendre et les clous pourraient ricocher, ce qui pourrait blesser l'utilisateur ou ses collègues.
12. **NE PAS ENFONCER LES CLOUS SUR DES CLOUS DÉJÀ ENFONCÉS.** Ils pourraient ricocher, ce qui pourrait entraîner des blessures.
13. **NE JAMAIS UTILISER UN OUTIL QUI A UNE FUITE D'AIR, AUQUEL IL MANQUE DES PIÈCES OU QUI A BESOIN D'ÊTRE RÉPARÉ.** Et veiller à ce que toutes les vis soient bien serrées.
14. **TOUJOURS UTILISER L'OUTIL DANS UN ENDROIT BIEN ÉCLAIRÉ.** Veiller à ce que le lieu de travail soit exempt de tout débris.
15. **N'UTILISER QUE LES PIÈCES ET LES ACCESSOIRES** recommandés par le fabricant.
16. **ÊTRE CONSCIENT DE L'ÉPAISSEUR DU MATÉRIAU PENDANT L'UTILISATION.** Un clou qui dépasse peut entraîner des blessures.
17. **NE PAS ENFONCER DE CLOUS DANS LA SURFACE AVEUGLÉMENT.** Il faut être conscient de la présence possible de câbles électriques, de tuyaux et d'autres types d'obstruction pouvant entraîner des blessures ou des dommages.



CONSIGNES DE SÉCURITÉ GÉNÉRALES

AVERTISSEMENT!

Certaines poussières créées par ponçage, par sciage, par grenailage, par perçage ou par les biais d'autres activités de construction contiennent des produits chimiques reconnus par l'État de Californie comme étant une cause de cancer, d'anomalies congénitales et d'autres troubles de reproduction. Voici quelques exemples des produits chimiques en question :

- le plomb contenu dans les peintures à base de plomb;
- la silice cristalline issue des briques, du ciment et d'autres produits de maçonnerie; et
- l'arsenic et le chrome issus du bois d'œuvre traité chimiquement.

Les risques encourus suite à cette exposition varient selon la fréquence à laquelle on effectue ce type de travail. Pour réduire l'exposition à ces produits chimiques : travailler dans un endroit bien ventilé et travailler avec de l'équipement de sécurité homologué, comme des masques antipoussières spécialement conçus pour filtrer les particules microscopiques.

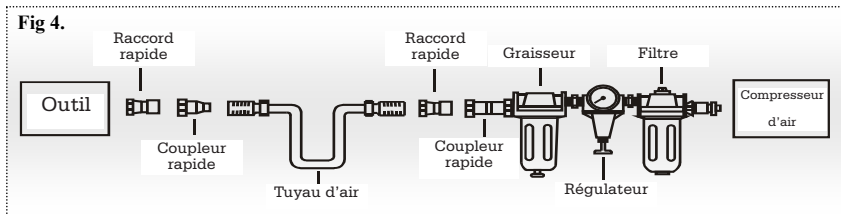
L'utilisation de cet outil peut générer de la poussière ou la disperser, ce qui peut entraîner des blessures respiratoires ou d'autres blessures graves et permanentes. Toujours utiliser un dispositif de protection respiratoire homologué par NIOSH/OSHA approprié pour l'exposition à la poussière. Éloigner les particules du visage et du corps. Toujours utiliser l'outil dans un endroit bien ventilé et veiller à ce que les poussières soient évacuées comme il se doit. Utiliser un système de dépoussiérage à chaque fois que cela est possible.

Description

La cloueuse de finition pneumatique **18GPT** enfonce des clous de finition de calibre 18 d'une longueur de 15 mm à 50 mm (5/8 po à 2 po). Le boîtier de l'outil est en aluminium coulé, ce qui lui confère résistance et légèreté. L'outil est doté d'une poignée en caoutchouc confortable pour un contrôle et un confort accrus, même en cas d'utilisation prolongée. L'outil est en outre doté d'une sécurité par contact qui empêche tout déclenchement accidentel et d'un couvercle à déclenchement rapide pour dégager rapidement les bourrages. L'outil est idéal pour les moulures des portes et des fenêtres, les moulures à vocation décorative, ainsi que les travaux de menuiserie, les panneaux de finition, les cadres, les planchers, etc.

Alimentation en air

1. Utiliser de l'air comprimé propre, sec et homologué à 60-100 lb/pi² (4-7 bar).
2. Ne jamais excéder les pressions maximale et minimale. Si la pression est trop faible ou trop forte, le fonctionnement sera bruyant et l'outil s'usera plus vite qu'à la normale ou connaîtra des ratés.
3. Lors du raccordement à la source d'air, toujours maintenir les mains et le corps éloignés de la zone de décharge de l'outil.
4. Un filtre, régulateur et dispositif de lubrification est requis et devrait être situé le plus près possible de l'outil.
5. Faire en sorte que le filtre à air reste propre. Si le filtre est sale, la pression d'air va diminuer, ce qui va entraîner une baisse de puissance et d'efficacité.
6. Pour une performance optimale, installer un raccord rapide dans votre outil et un coupleur rapide sur le tuyau, si possible.
7. Veiller à ce que tous les raccords du système d'alimentation en air soient scellés pour empêcher toute perte d'air.



INSTRUCTIONS D'UTILISATION

Chargement et fonctionnement

AVERTISSEMENT!

Toujours débrancher l'outil de la source d'air comprimé avant de le charger. Lors du chargement de l'outil, toujours pointer l'outil dans la direction opposée à la sienne et à celle des tiers. Veiller à ne pas appuyer sur la gâchette lors du chargement de l'outil pour empêcher tout déclenchement involontaire.

1. Insérer une bande de clous dans le chargeur. Pointer l'outil vers le bas et ne pas appuyer sur la gâchette.
2. Relâcher le verrou et le poussoir, puis glisser le poussoir contre les clous.
3. Tester la profondeur à laquelle les clous sont enfoncés dans un échantillon de bois avant d'utiliser l'outil. Si les clous sont enfoncés trop profondément ou trop peu profondément, ajuster le régulateur pour accroître ou réduire la pression d'air au besoin.
4. Ne jamais utiliser l'outil si le nez de sécurité n'est pas en contact avec la pièce à travailler. Ne pas utiliser l'outil sans clou, cela pourrait l'endommager.
5. Ne jamais tirer de clous dans les airs, car ils pourraient blesser l'utilisateur ou d'autres personnes. Cela pourrait aussi endommager l'outil.
6. L'outil à air comprimé est doté d'un mécanisme de sécurité par contact qui désactive l'outil sauf si l'on appuie sur la sécurité par contact. Maintenir le corps de la cloueuse fermement et appuyer la sécurité contre la pièce à travailler là où l'on souhaite enfoncer un clou. Actionner la gâchette pour enfoncer le clou dans la pièce à travailler.

ENTRETIEN

AVERTISSEMENT!

Débrancher l'outil du compresseur d'air avant de procéder à des réglages, de dégager un bouchage, d'entretenir l'outil, de le déplacer ou lorsque l'outil n'est pas utilisé.

- Il est nécessaire de lubrifier l'outil régulièrement. Il convient d'ajouter 2 à 6 gouttes de lubrifiant dans l'entrée d'air avant chaque journée de travail ou après deux heures d'utilisation continue selon les caractéristiques de la pièce à travailler et le type de clous.
- Vérifier les joints et les joints toriques et remplacer ceux qui sont usés ou abîmés, etc. Serrer toutes les vis et tous les capuchons pour éviter de se blesser.
- Inspecter la gâchette et le mécanisme de sécurité pour s'assurer que le système est complet et fonctionnel et qu'aucune pièce ne bouge ou ne manque.
- Veiller à ce que le chargeur et le nez de l'outil restent propres et exempts de toute trace de saleté, de peluche ou de particules abrasives.

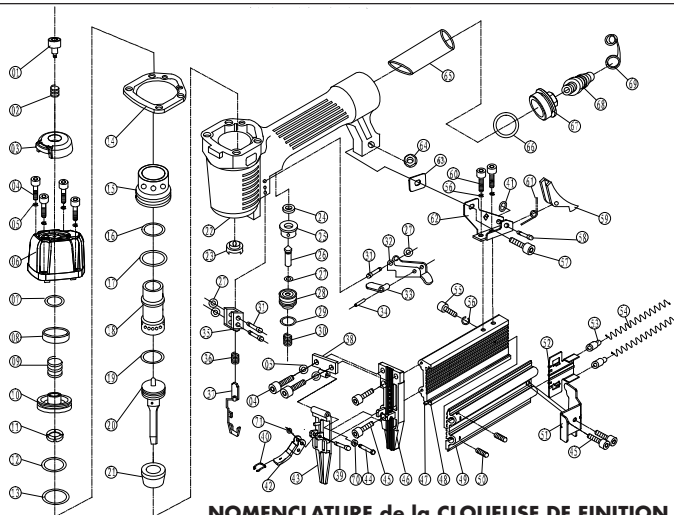
Le tableau qui suit énumère les problèmes que l'on peut rencontrer dans le cadre d'une utilisation normale de l'outil et leurs solutions. Il convient de le lire attentivement.

AVERTISSEMENT!

Si l'un des symptômes se produit durant l'utilisation, cesser immédiatement d'utiliser l'outil, sans quoi il pourrait en résulter des blessures graves. Seulement une personne qualifiée ou un centre de dépannage autorisé peut réparer l'outil ou le remplacer. Débrancher l'outil de la source d'alimentation en air avant d'essayer de le réparer ou de le régler. Lors du remplacement des joints toriques ou du cylindre, lubrifier l'outil avec une huile pour outil pneumatique avant de procéder à l'assemblage.

SYMPTÔME	PROBLÈME	SOLUTION
Fuite d'air à proximité de la partie supérieure de l'outil ou de la gâchette.	<ol style="list-style-type: none"> 1. Le joint torique de la valve de la gâchette est endommagé. 2. La tête de valve de la gâchette est endommagée. 3. La tige de valve de la gâchette, le joint ou le joint torique est endommagé. 	<ol style="list-style-type: none"> 1. Vérifier et remplacer le joint torique. 2. Vérifier et remplacer. 3. Vérifier et remplacer la tige de valve de la gâchette, le joint ou le joint torique.
Fuite d'air au niveau de la partie inférieure de l'outil.	<ol style="list-style-type: none"> 1. Vis desserrées. 2. Joints toriques ou butée usés ou endommagés. 	<ol style="list-style-type: none"> 1. Serrer les vis. 2. Vérifier et remplacer les joints toriques ou la butée.
Fuite d'air entre le corps et le bouchon du cylindre.	<ol style="list-style-type: none"> 1. Vis desserrées. 2. Joints toriques ou joints usés ou endommagés. 	<ol style="list-style-type: none"> 1. Serrer les vis. 2. Vérifier et remplacer les joints toriques ou les joints.
Le clou est enfoncé trop profondément.	<ol style="list-style-type: none"> 1. Butée usée. 2. La pression d'air est trop élevée. 	<ol style="list-style-type: none"> 1. Remplacer la butée. 2. Ajuster la pression d'air.
L'outil ne fonctionne pas correctement : il n'arrive pas à enfoncer les clous ou fonctionne difficilement.	<ol style="list-style-type: none"> 1. Arrivée d'air inadéquate. 2. Lubrification inadéquate. 3. Joints toriques ou joints usés ou endommagés. 4. Le port de sortie de la tête du cylindre est obstrué. 	<ol style="list-style-type: none"> 1. Vérifier que l'alimentation en air est adéquate. 2. Déposer 2 à 6 gouttes d'huile dans l'entrée d'air. 3. Vérifier et remplacer les joints toriques ou les joints. 4. Remplacer les pièces internes endommagées.
L'outil saute des clous.	<ol style="list-style-type: none"> 1. Butée usée ou ressort endommagé. 2. Présence de saleté au niveau de la plaque frontale. 3. La présence de saleté ou des dommages empêchent les clous de se déplacer librement dans le chargeur. 4. Joint torique usé ou sec au niveau du piston ou lubrification insuffisante. 5. Fuite au niveau du joint du couvercle du cylindre. 	<ol style="list-style-type: none"> 1. Remplacer la butée ou le ressort du pousoir. 2. Nettoyer le canal d'alimentation au niveau de la plaque frontale. 3. Il faut nettoyer le chargeur. 4. Il faut remplacer le joint torique et le lubrifier. 5. Remplacer la rondelle d'étanchéité.
L'outil s'enraye.	<ol style="list-style-type: none"> 1. Clous incorrects ou endommagés. 2. Guide de l'extrémité motrice endommagé ou usé. 3. Vis du chargeur ou du nez desserrée. 4. Le chargeur est sale. 	<ol style="list-style-type: none"> 1. Remplacer les clous. 2. Vérifier et remplacer l'extrémité motrice. 3. Serrer le chargeur. 4. Nettoyer le chargeur.

SCHÉMA ET LISTE DE PIÈCES DU PT18G

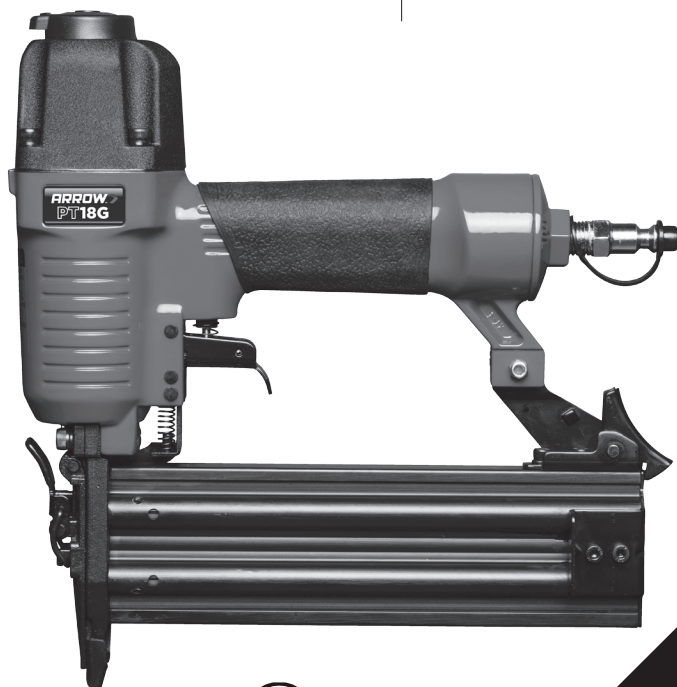


NOMENCLATURE de la CLOUEUSE DE FINITION PT18G

Article	Description	Utilisation	article	Description	Utilisation	article	Description	Utilisation	article	Description	Utilisation
1	Vis	1	24	Anneau d'étanchéité	1	47	Panneau	1	70	Joint torique de la tige de valve 1,9 x 1,2	1
2	Ressort	1	25	Siège de valve	1	48	Chargeur fixe	1			
3	Défecteur d'air	1	26	Tige de valve	1	49	Chargeur coulissant	1			
4	Boulon hexagonal M5 x 22	4	27	Joint torique 1,7 x 2	1	50	Boulon	1			
5	Rondelle à ressort 5	1	28	Manchon de valve	1	51	Siège de position	1			
6	Bouchon du cylindre	1	29	Joint torique 11,2 x 2	1	52	Coulisseau	1			
7	Joint torique 13,7 x 2,4	1	30	Ressort de la gâchette	2	53	Doigt de poussoir	2			
8	Anneau d'étanchéité 13,7 x 2,4	1	31	Goupille	1	54	Ressort de poussoir	1			
9	Ressort de la tête de valve	1	32	Gâchette	1	55	Boulon hexagonal M4 x 12	1			
10	Tête de valve	1	33	Plaque de sécurité A	1	56	Joint du ressort	3			
11	Joint	1	34	Goupille 2,5 x 16	1	57	Boulon hexagonal M4 x 12	1			
12	Joint torique 31,2 x 2,5	1	35	Plaque-support coulissante	1	58	Goupille de poignée à crochet	2			
13	Joint torique 24,8 x 3,5	1	36	Ressort de la tige poussoir	1	59	Poignée à crochet	2			
14	Joint d'étanchéité	1	37	Assemblage de WCE	1	60	Boulon hexagonal M4 x 8	1			
15	Collier	1	38	Plaque de séparation	1	61	Ressort de torsion	1			
16	Joint torique 26,2 x 2,4	1	39	Goupille de position	1	62	Siège fixe	1			
17	Joint torique 41,7 x 3	1	40	Frette à déclenchement rapide	4	63	Écrou autobloquant M4	1			
18	Cylindre A	1	41	Dispositif de retenue	1	64	Poignée en caoutchouc	1			
19	Joint torique 21 x 3	1	42	Assemblage de déclencheur rapide	4	65	Joint torique 36,6 x 3,55	1			
20	Assemblage de Piston	1	43	Couvercle	1	66	Bouchon d'extrémité	1			
21	Butée	1	44	Goupille du couvercle	1	67	Raccord d'entrée d'air	1			
22	Boîtier	1	45	Boulon hexagonal M4 x 12	1	68	Capuchon du raccord d'entrée d'air	1			
23	Joint en caoutchouc	1	46	Guide d'alimentation A	2	69	Manchon de goupille	1			

ARROW™ 
HOW IT ALL COMES TOGETHER

CLAVADORA
NEUMÁTICA DE PUNTAS
PT 18G™



Manual de instrucciones

Información importante. Por favor lea atentamente antes de usar.

Lea y siga todas las reglas de seguridad e instrucciones de funcionamiento antes de usar este producto por primera vez.

Incluye:

- Datos técnicos
- Reglas de seguridad importantes
- Instrucciones de funcionamiento
- Mantenimiento
- Lista de piezas

www.arrowfastener.com

GARANTÍA LIMITADA DE 3 AÑOS

Arrow Fastener Company garantiza al comprador original (“usted”) que este producto estará exento de defectos de materiales o fabricación por un período de 3 años después de su compra. Si el producto no cumple con esta garantía, Arrow a su opción, reparará o reemplazará el producto con uno equivalente sin costo alguno para usted. Esta garantía no es transferible. Para un mejor desempeño, utilice clavos Arrow genuinos. Los clavos Arrow están fabricados con las tolerancias exactas para asegurar un funcionamiento sin problemas. Esta garantía no cubre defectos o daños causados por clavos que no sean de la marca Arrow. Esta garantía tampoco cubre daños relacionados con el desgaste normal, mal uso, abuso, negligencia, accidente, desastre natural o modificación del producto sin el consentimiento de Arrow. EN LA MEDIDA QUE LA LEY LO PERMITA, CUALQUIER GARANTÍA IMPLÍCITA, INCLUYENDO CUALQUIER GARANTÍA DE COMERCIALIDAD O APTITUD PARA UN PROPÓSITO PARTICULAR, SE LIMITA A LA MISMA DURACIÓN DE ESTA GARANTÍA EXPRESA. En algunos estados no se permiten limitaciones sobre cuánto duran las garantías implícitas, por lo tanto la limitación anterior puede no aplicarse en su caso. ARROW NO HA HECHO NI HARÁ NINGUNA OTRA GARANTÍA EXPRESA CON RESPECTO A ESTE PRODUCTO. ARROW NO SERÁ RESPONSABLE DE NINGÚN DAÑO ESPECIAL, INCIDENTAL O CONSECUENTE QUE SURJA YA SEA POR INCUMPLIMIENTO DE LA GARANTÍA, INCUMPLIMIENTO DEL CONTRATO, AGRAVIO O DE OTRA MANERA. En algunos estados no se permite la exclusión de daños incidentales o consecuentes por lo tanto la exclusión y limitación anterior pueden no aplicarse en su caso. Esta garantía le otorga derechos legales específicos y usted también puede tener otros derechos que varían de un estado a otro. Esta garantía no afecta sus derechos. En Canadá, las disposiciones anteriores no están destinadas a ser aplicadas donde lo prohíba la ley y no excluyen la puesta en práctica de cualquier estatuto provincial aplicable de protección del consumidor que puede bajo ciertas circunstancias extender la garantía expresa aquí descrita. Para obtener los beneficios de esta garantía, usted debe enviar el producto firmemente empacado con el comprobante de compra y franqueo prepagado a:

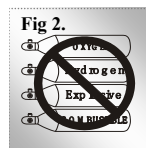
Arrow Fastener Co., LLC
271 Mayhill Street, Saddle Brook, N.J. 07663 U.S.A.

Datos técnicos

Capacidad.....	100 piezas
Longitud de los clavos.....	15-50 mm (5/8" - 2")
Tamaño de los clavos	Calibre 18 (1,25 x 1,00 mm)
Presión de trabajo.....	60-100 PSI (4-7 bar)
Conexión de entrada del aire.....	1/4" N.P.T.
Tamaño	55 x 235 x 255 mm (2,16" x 9,25" x 10,03")
Peso.....	1,55 kg (3,30 libras)

REGLAS DE SEGURIDAD GENERALES

1. **MANTENGA A LOS NIÑOS, VISITANTES Y ESPECTADORES LEJOS DE LA HERRAMIENTA.** Las distracciones pueden causar mal uso y posible pérdida de control. Cuando la herramienta no esté en uso debe guardarse en un lugar seguro bajo llave, fuera del alcance de los niños.
2. **USE LENTES PROTECTORES Y PROTECCIÓN AUDITIVA:** Los operadores que utilizan herramientas neumáticas y otros que trabajen en el área debe siempre usar lentes protectores y protección auditiva a fin de evitar lesiones de basuras que saltan así como también posible daño de la audición.
3. **NUNCA UTILICE OXÍGENO, COMBUSTIBLE NI NINGÚN OTRO GAS EMBOTELLADO** como una fuente de alimentación pues puede causar una explosión y una lesión personal grave. (Ver fig. 2.)
4. **NO CONECTE LA HERRAMIENTA A AIRE COMPRIMIDO QUE EXCEDA 120 PSI.**
5. **ASEGÚRESE DE QUE LA MANGUERA NO TIENE OBSTRUCCIONES NI ESTANCAMIENTOS.** Las mangueras enredadas pueden causar pérdida del equilibrio o de la estabilidad.
6. **NUNCA APUNTE LA HERRAMIENTA HACIA SI MISMO** ni hacia otros y mantenga las manos, o cualquier parte del cuerpo alejadas de la parte trasera para evitar posibles lesiones.
7. **DESCONECTE LA HERRAMIENTA DEL SUMINISTRO DE AIRE ANTES DE CARGAR LOS CLAVOS** a fin de evitar disparo accidental durante la conexión.
8. **NO MANTENGA OPRIMIDO EL GATILLO O LA SEGURIDAD CUANDO ESTÉ CARGANDO LOS CLAVOS.** Esto puede causar disparo involuntario y causar una lesión accidental.
9. **DESCONECTE LA HERRAMIENTA DE LA MANGUERA DE SUMINISTRO DEL AIRE** y cierre el compresor antes de efectuar mantenimiento y cuando no esté en funcionamiento.
10. **NO SOBREPASE SU ALCANCE.** Mantenga su estabilidad en todo momento a fin de evitar pérdida del equilibrio y una posible lesión.
11. **NO INTRODUZCA CLAVOS CERCA DEL BORDE DEL MATERIAL.** Esto puede causar posible división de la pieza de trabajo resultando en rebotes de los clavos que pueden lesionarle a usted o a sus compañeros de trabajo.
12. **NO INTRODUZCA CLAVOS SOBRE CLAVOS QUE YA ESTÉN CLAVADOS,** pues los clavos pueden rebotar causando lesión personal.
13. **NUNCA USE UNA HERRAMIENTA QUE TENGA ESCAPE DE AIRE, PIEZAS DAÑADAS O FALTANTES O QUE REQUIERE REPARACIÓN.** Y asegúrese de que todos los tornillos estén firmemente apretados.
14. **SIEMPRE HAGA FUNCIONAR LA HERRAMIENTA EN ÁREAS LIMPIAS Y BIEN ILUMINADAS.** Asegúrese de que el área de trabajo esté libre de basuras.
15. **USE SOLAMENTE REPUESTOS Y ACCESORIOS** recomendados por el fabricante.
16. **MANTÉNGASE PENDIENTE DEL GROSOR DEL MATERIAL DURANTE EL USO.** Un clavo que sobresale puede causar una lesión.
17. **NO INSTALE CLAVOS A CIEGAS EN LAS SUPERFICIES.** Tenga en cuenta que pueden haber alambres eléctricos, plomería u otro tipo de obstrucciones que pueden causar lesión o daño.



REGLAS DE SEGURIDAD GENERALES

¡ADVERTENCIA!

Parte del polvo creado por el lijado, aserrado, molienda y perforado y de otras actividades de construcción contiene productos químicos conocidos en el estado de California como causantes de cáncer, defectos congénitos u otros daños del sistema reproductor. Algunos de estos productos químicos son:

- plomo de pinturas a base de plomo,
- sílice cristalina de ladrillos, cemento y de otros productos de mampostería, y
- arsénico y cromo de madera tratada químicamente.

El riesgo derivado de estas exposiciones varía, dependiendo de cuán a menudo usted hace este tipo de trabajo. Para reducir su exposición a estos agentes químicos: trabaje en un área bien ventilada y utilice equipo de seguridad aprobado, tal como máscaras contra el polvo específicamente diseñadas para filtrar partículas microscópicas.

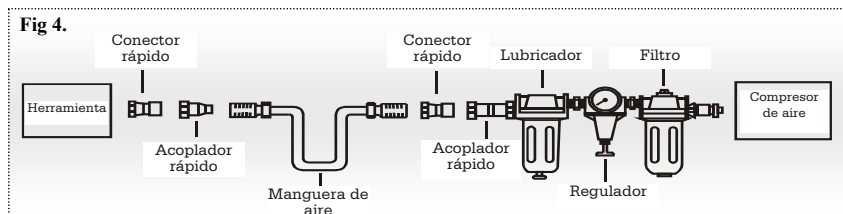
El uso de esta herramienta puede generar y/o dispersar polvo, que puede causar lesiones respiratorias u otras lesiones graves y permanentes. Siempre utilice protección respiratoria aprobada por NIOSH/OSHA apropiada para la exposición al polvo. Aleje las partículas de la cara y del cuerpo. Siempre haga funcionar la herramienta en un área bien ventilada y mantenga remoción adecuada del polvo. Siempre que sea posible utilice un sistema de recolección del polvo.

Descripción

La clavadora angular **15GPT Arrow** trabaja con clavos de acabado calibre 15 de 32 mm (1 ¼") hasta 64 mm (2 1/2") de longitud. Su gran caja de aluminio de fundición proporciona la potencia para clavar con facilidad clavos en maderas más duras. El cargador angular facilita el acceso a las esquinas y el orificio de escape de 360 grados minimiza el polvo y las basuras. También cuenta con una cubierta de desenganche rápido de la boca para solucionar atascos con facilidad. La clavadora angular 15GPT Arrow es ideal para guarniciones de puertas y ventanas, contramarcos exteriores y trabajos de ebanistería, paneles de acabado y guarniciones decorativas, etc.

Suministro de aire

1. Use aire comprimido limpio, seco y regulado a 60-100 psi (4-7 bar).
2. Nunca exceda la presión máxima y mínima. La presión demasiado baja o demasiado alta podría causar ruido, desgaste o falla de encendido.
3. Cuando conecte el suministro de aire siempre mantenga las manos y el cuerpo lejos del área de descarga de la herramienta.
4. Se requiere una unidad de filtro, regulador y lubricador la cual debe ubicarse tan cerca de la herramienta como sea posible.
5. Mantenga limpio el filtro del aire. Un filtro sucio reducirá la presión del aire hacia la herramienta causando una reducción de la potencia y eficiencia.
6. Para un mejor desempeño, instale un conector rápido en su herramienta y si es posible un acoplador rápido en la manguera.
7. Asegúrese de que todas las conexiones del sistema de suministro del aire estén sellada para evitar pérdida de aire.



INSTRUCCIONES DE FUNCIONAMIENTO

Carga y funcionamiento

¡ADVERTENCIA!

Siempre desconecte la herramienta del aire comprimido antes de cargarla. Cuando cargue la herramienta siempre manténgala apuntando lejos de usted y de otros. Asegúrese de no sostener la herramienta con el gatillo oprimido cuando la esté cargando a fin de evitar disparos accidentales.

1. Inserte una tira de clavos en el cargador, manteniendo la herramienta dirigida hacia abajo y no en la posición oprimida.
2. Suelte el seguro y el empujador, deslice el empujador contra los clavos.
3. Antes de usar, pruebe la profundidad de penetración en un pedazo de madera de muestra. Si los clavos quedan demasiado profundos o no muy profundos, ajuste el regulador para proporcionar menos o más presión de aire, según sea necesario.
4. Nunca haga funcionar la herramienta a menos que la boca de seguridad esté en contacto con la pieza de trabajo. No utilice la herramienta sin clavos pues puede dañarla.
5. Nunca dispare clavos al aire pues los clavos pueden dañar al operador o a otros y la herramienta puede dañarse.
6. La herramienta neumática está equipada con un mecanismo de seguridad de contacto que desactiva la herramienta, a menos que la seguridad de contacto esté oprimida. Sujete con firmeza el cuerpo de la pistola y oprima la seguridad de contacto en la pieza de trabajo donde se instalará el clavo. Tire del gatillo para hacer penetrar el clavo en la pieza de trabajo.

MANTENIMIENTO

¡ADVERTENCIA!

Desconecte la herramienta del compresor de aire antes de hacer ajustes, despejar atascos, proceder a su mantenimiento, cambiarla de lugar y cuando no esté en uso.

- Es necesaria la lubricación periódica de la herramienta. Añada de 2 a 6 gotas de aceite lubricante en la entrada del aire antes de cada día de trabajo o después de 2 horas de uso continuo, dependiendo de las características de la pieza de trabajo o del tipo de clavos.
- Verifique y cambie todas las juntas tóricas, sellos, etc. dañados o gastados. Apriete todos los tornillos y tapas para evitar lesión personal.
- Inspeccione el gatillo y el mecanismo de seguridad para asegurar de que el sistema esté completo y funcional sin piezas sueltas o faltantes.
- Mantenga el cargador y la boca de la herramienta limpia y libre de cualquier suciedad, pelusas o partículas abrasivas.

LOCALIZACIÓN Y REPARACIÓN DE AVERÍAS

La tabla siguiente incluye los problemas más comunes del sistema y sus soluciones. Lea atentamente la tabla y siga las instrucciones.

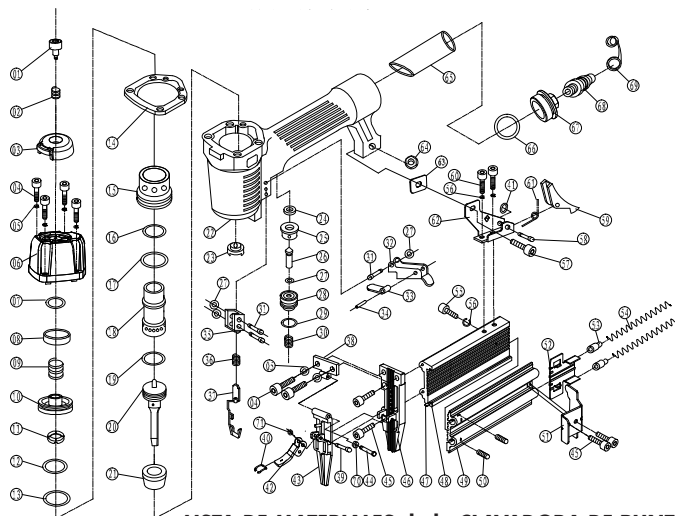
¡ADVERTENCIA!

Si alguno de los siguientes síntomas aparece durante la operación, deje de usar la herramienta inmediatamente, de lo contrario puede ocurrir una lesión personal grave. Solamente personas calificadas o un centro de servicio autorizado pueden realizar reparaciones o reemplazar la herramienta.

Desconecte la herramienta del suministro de aire antes de hacer reparaciones o ajustes. Cuando reemplace las juntas tóricas o el cilindro, lubrique la herramienta neumática antes del montaje.

SÍNTOMA	PROBLEMA	SOLUCIÓN
Escape de aire en la parte superior de la herramienta o en el área del gatillo.	<ol style="list-style-type: none">1. La junta tórica en la válvula del gatillo está dañada.2. La cabeza de la válvula del gatillo está dañada.3. El vástago de la válvula del gatillo, el sello o la junta tórica tienen daño.	<ol style="list-style-type: none">1. Verifique y reemplace la junta tórica.2. Verifique y reemplace.3. Verifique y reemplace el vástago de la válvula del gatillo, el sello o la junta tórica.
Escape de aire en la parte inferior de la herramienta.	<ol style="list-style-type: none">1. Tornillos sueltos.2. Desgaste o daño de las juntas tóricas o del tope.	<ol style="list-style-type: none">1. Apriete los tornillos.2. Verifique y reemplace las juntas tóricas o el tope.
Escape de aire entre el cuerpo y la tapa del cilindro.	<ol style="list-style-type: none">1. Tornillos sueltos.2. Juntas tóricas o sellos dañados o gastados.	<ol style="list-style-type: none">1. Apriete los tornillos.2. Verifique y reemplace las juntas tóricas o los sellos.
Los clavos penetran a mucha profundidad.	<ol style="list-style-type: none">1. Tope gastado.2. Presión del aire demasiado alta.	<ol style="list-style-type: none">1. Reemplace el tope.2. Ajuste la presión del aire.
La herramienta no funciona bien: no puede instalar los clavos o funciona muy lentamente.	<ol style="list-style-type: none">1. Suministro de aire inadecuado.2. Lubricación inadecuada.3. Juntas tóricas o sellos dañados o gastados.4. El orificio de escape de la cabeza del cilindro está bloqueado.	<ol style="list-style-type: none">1. Verifique que el suministro de aire sea adecuado.2. Coloque 2 o 6 gotas de aceite en la entrada del aire.3. Verifique y reemplace las juntas tóricas o los sellos.4. Reemplace las piezas internas dañadas.
La herramienta salta clavos.	<ol style="list-style-type: none">1. Tope gastado o resorte dañado.2. Suciedad en la placa frontal.3. Suciedad o daño evita que los clavos se muevan libremente en el cargador.4. Junta tórica gastada o seca en el pistón o falta de lubricación.5. Escape en el sello de la cubierta del cilindro.	<ol style="list-style-type: none">1. Reemplace el tope o el resorte del empujador.2. Limpie el canal de arrastre en la placa frontal.3. El cargador necesita limpieza.4. La junta tórica debe ser reemplazada y lubricada.5. Reemplace la arandela obturadora.
Atascos de la herramienta.	<ol style="list-style-type: none">1. Clavos incorrectos o dañados.2. Guía del mecanismo impulsor dañada o gastada.3. Tornillo suelto del cargador o de la boca.4. El cargador está sucio.	<ol style="list-style-type: none">1. Cambie y use los clavos correctos.2. Verifique y reemplace el mecanismo impulsor.3. Apriete el cargador.4. Limpie el cargador.

ESQUEMA Y LISTA DE PIEZAS PT18G



LISTA DE MATERIALES de la CLAVADORA DE PUNTAS PT18G

Artículo	Description	Utilisation	artículo	Description	Utilisation	artículo	Description	Utilisation	artículo	Description	Utilisation
1	Tornillo	1	24	Anillo obturador	1	47	Panel	1	70	Junta tórica -Vástago de la válvula 1,9 x 1,2	1
2	Resorte	1	25	Asiento de la válvula	1	48	Cargador fijo	1			
3	Deflector de aire	1	26	Vástago de la válvula	1	49	Cargador deslizante	1			
4	Perno hexagonal M5 x 22	4	27	Junta tórica 1,7 x 2	1	50	Perno	1			
5	Arandela de resorte 5	1	28	Manguito de la válvula	1	51	Asiento de posición	1			
6	Tapa del cilindro	1	29	Junta tórica 11,2 x 2	1	52	Deslizador	1			
7	Junta tórica 13,7 x 2,4	1	30	Resorte del gatillo	2	53	Dedo del empujador	2			
8	Anillo obturador 13,7 x 2,4	1	31	Pasador	1	54	Resorte del empujador	1			
9	Resorte - Cabeza de la válvula	1	32	Gatillo	1	55	Perno hexagonal M4 x 12	1			
10	Cabeza de la válvula	1	33	Placa de seguridad A	1	56	Empaquetadura del resorte	3			
11	Empaquetadura	1	34	Pasador 2,5 x 16	1	57	Perno hexagonal M4 x 12	1			
12	Junta tórica 31,2 x 2,5	1	35	Placa-soporte deslizante	1	58	Pasador de mango-gancho	2			
13	Junta tórica 24,8 x 3,5	1	36	Resorte de la varilla empujadora	1	59	Mango-gancho	2			
14	Empaquetadura obturadora	1	37	Conjunto del elemento de contacto de trabajo (WCE)	1	60	Perno hexagonal M4 x 8	1			
15	Collar	1	38	Placa de separación	1	61	Resorte de torsión	1			
16	Junta tórica 26,2 x 2,4	1	39	Pasador de posición	1	62	Asiento fijo	1			
17	Junta tórica 41,7 x 3	1	40	Anillo de contracción de desenganche rápido	4	63	Tuerca de bloqueo M4	1			
18	Cilindro A	1	41	Retén	1	64	Empuñadura de caucho	1			
19	Junta tórica 21 x 3	1	42	Conjunto de desenganche rápido	4	65	Junta tórica 36,3 x 3,55	1			
20	Conjunto del pistón	1	43	Cubierta	1	66	Tapa de extremo	1			
21	Tope	1	44	Pasador de la cubierta	1	67	Conector de la entrada de aire	1			
22	Caja	1	45	Perno hexagonal M4 x 12	1	68	Tapa del conector de la entrada de aire	1			
23	Empaquetadura de caucho	1	46	Guía de arrastre A	2	69	Manguito del pasador	1			